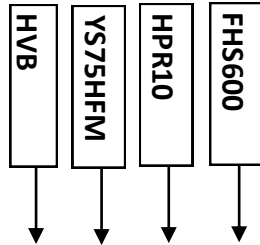


Drip Tape Configuration For Standard Vegetable Garden

Sample Illustrates System Using 1/2" Solid Tubing As a Header 6 Rows x 25 Ft



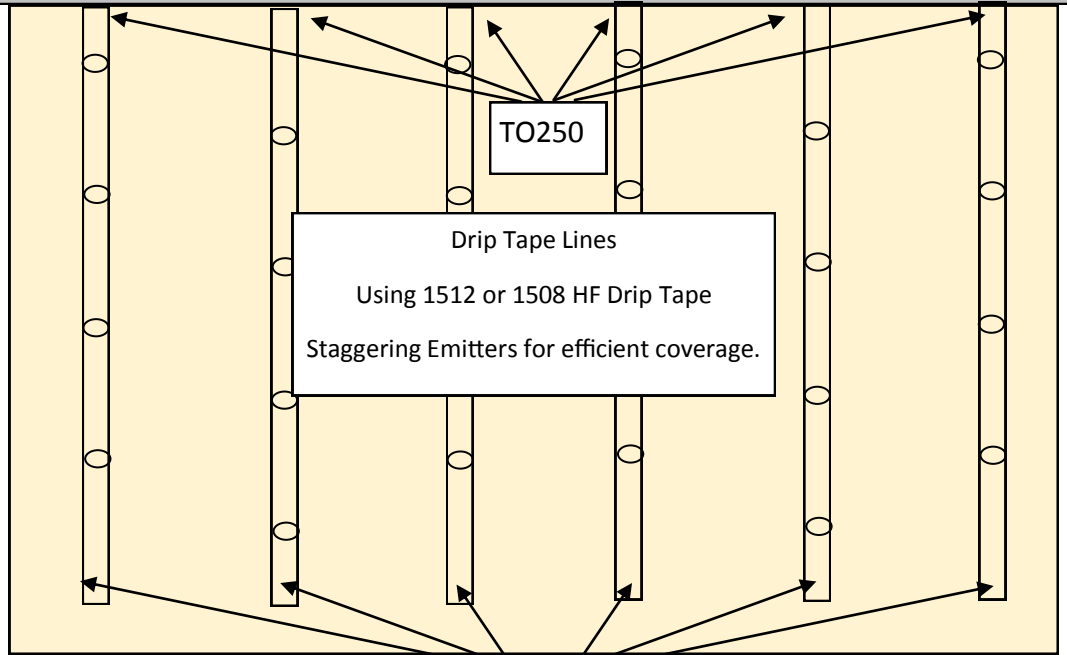
Water Source



1/2" Distribution Line DH700

EC600 End Cap

Qty	Item	Part #
1	Vacuum Breaker 3/4" Hose Thread Anti-Siphon Backflow Preventer	DD-HVB
1	Y Filter 3/4" Female Hose Swivel x Male Hose Thread 200 Mesh Stainless Steel Screen	DD-YS75HFM-200
1	Pressure Regulator 10 PSI - Hose Threaded 3/4" FHT x 3/4" MHT for Drip Tape	DD-HPR10
1	Direct-Loc Swivel Adapter .600 ID DL x 3/4" FHT Swivel - 700 or 710 Tubing	DL-FHS600
1	1/2" x 50' .700 OD Poly Tubing - 50' Roll	DD-DH700-50
1	Direct-Loc End Cap .600 ID DL x 3/4" MHT w/ Cap - 700 or 710 Tubing	DL-EC600
10	Goof Plug - Dual End 1/4" & 1/8"	DD-GP
10	Drip Tubing Hold Down 8" Wire Stake "J Style" fits 1/8" to 3/4" tubing - 10 Pack	DD-S8
1	Deluxe Hole Punch for 1/4" Barbed Fittings & Drippers	DD-HP250
6	Drip Tape 5/8" Loc x 1/4" Barb	DT-TO250
2	Drip Tape 5/8" (16mm) 15 Mil 8" Spacing .64 GPM/100' - 100' Roll	DT-1508HF-100 DT-1512HF-100
6	Drip Tape 5/8" Sleeve End	DT-TSE



TO250

Drip Tape Lines
Using 1512 or 1508 HF Drip Tape
Staggering Emitters for efficient coverage.

DT-TSE